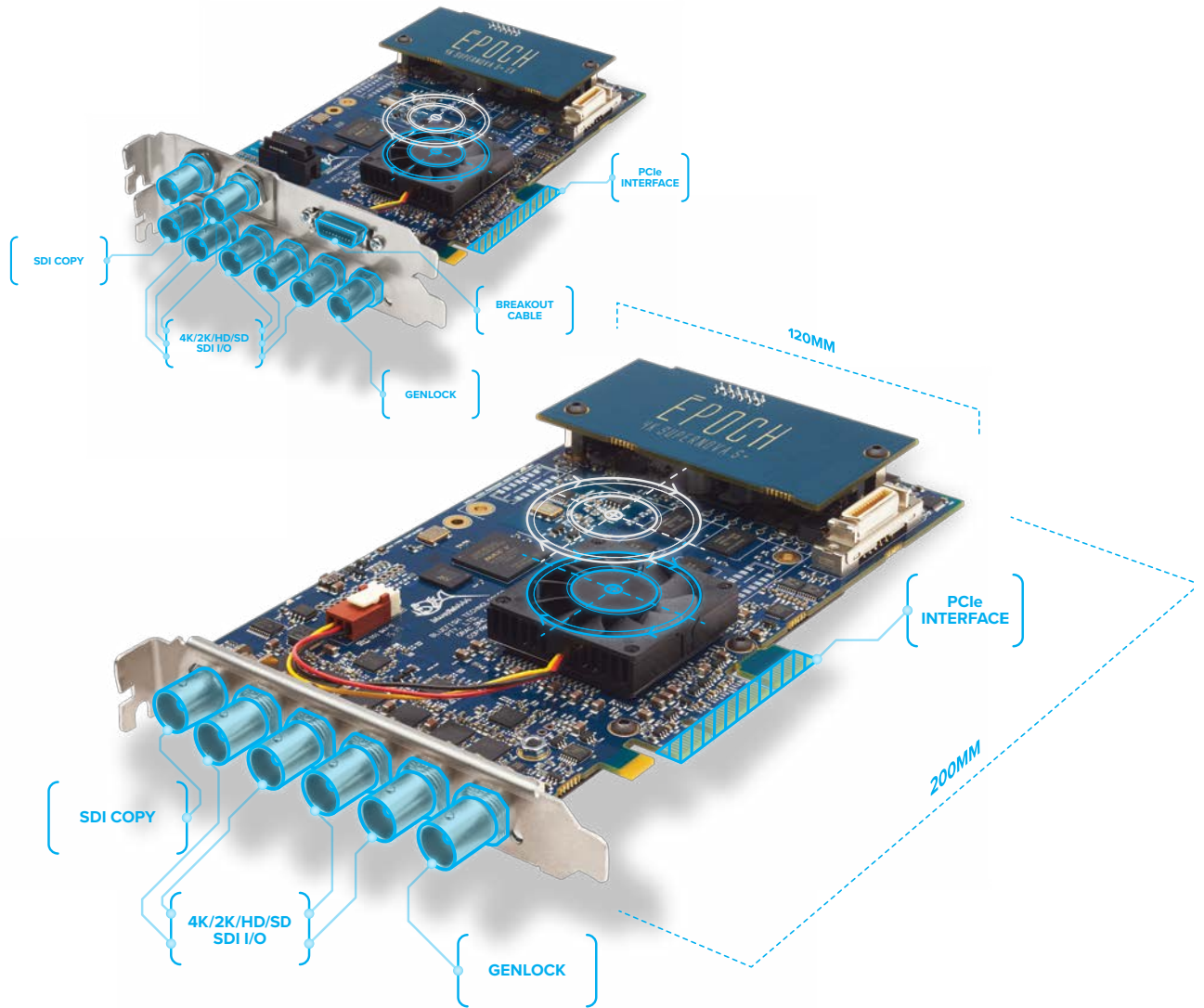




ÉPOCH

4K SUPERNOVA S+
RANGE

THE WORLD'S FIRST 4K/UHD-CAPABLE SDI VIDEO CARD RANGE



INTEGRATE BLUEFISH444 INTO THE FOLLOWING VERTICAL MARKETS





ALL CARDS IN THE BLUEFISH444 EPOCH | 4K SUPERNOVA S+ RANGE COME WITH THE FOLLOWING FEATURES:



Bi-directional I/O's provide unrivalled flexibility with industry standard BNC video connectors each allowing 3G/HD/SD-SDI inputs or outputs.



Thunderbolt Expansion Chassis Compatibility with popular manufacturers.



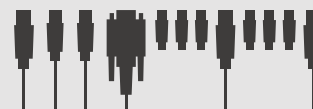
Up to 4K/UHD 30p resolution input or output to give you the best possible image quality for your productions, no matter what you are doing.



Low-latency Video Keyer allowing video layers to be combined in hardware with just microseconds of delay.



Maintaining a 12-bit processing pipeline means that 4096 discrete values of red, green & blue are maintained per pixel; that's 4 times the colour precision of traditional 10-bit processing!



Maximum Connectivity including RS-422, 8 channels of AES EBU Audio, 2 channels of analogue audio, LTC, and auxilliary Reference In.



Maintaining the highest quality RGB <=> YUV includes a fully programmable 4 x 4 x 33-bit colour matrix colour space conversion.

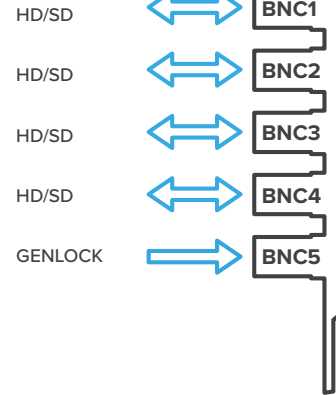


Primary Hardware Colour Corrector using the Bluefish444 programmable matrix combined with the on-board 1D LUTs.



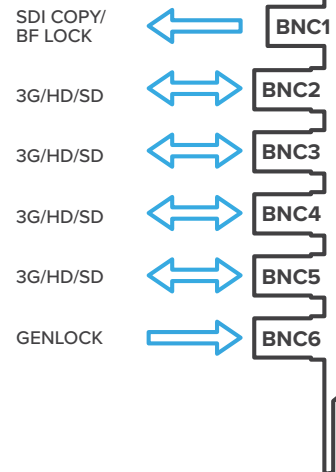
ÈPOCH EB3005CGF
SUPERNOVA CG **\$2,145**

- 4 x 2K/HD/SD-SDI
- 2K/HD up to 30 fps
- Full-height, 2/3rd-length PCIe
- Reference In BNC



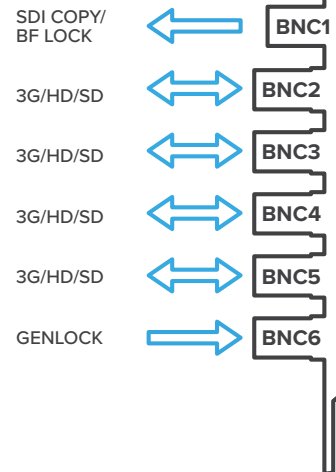
ÈPOCH EB3005M
4K SUPERNOVA S+ **\$3,995**

- 4 x 3G/HD/SD-SDI
- 4K/UHD up to 30 fps
- Full-height, 2/3rd-length PCIe
- Reference In BNC
- Monitor Out BNC



ÈPOCH EB3005MRL
4K SUPERNOVA S+ EX **\$4,270**

- 4 x 3G/HD/SD-SDI
- 4K/UHD up to 30 fps
- Full-height, 2/3rd-length PCIe
- Reference In BNC
- Monitor Out BNC
- AES / ANA / RS-422 / LTC I/O



FEATURE	EPOCH SUPERNOVA CG	EPOCH 4K SUPERNOVA S+	EPOCH 4K SUPERNOVA S+ EX
Max number of Bi-directional SDI I/Os	4	4	4
SD-SDI/1.5G HD-SDI/Dual Link 1.5G (4:2:2:4/4:4:4:4)	YES	YES	YES
3G-SDI (Level A+B)/Dual Link 3G (Level A+B)	NO	YES	YES
Quad Link 1.5/Quad Link 3G (Level A+B)	NO	YES*	YES*
Full-height, 2/3rd-length PCIe	YES	YES	YES
Reference In BNC	YES	YES	YES
SDI Monitor BNC	NO	YES	YES
Breakout Cable 8 x AES Audio I/O, 2 x Analogue Audio OUT, RS-422, Auxiliary Reference In	NO	NO	NO
Part Number	EB3005CGF	EB3005M	EB3005MRL
MSRP (USD)	\$2,145	\$3,995	\$4,270

*Not able to support 4 independent video channels at 3G.

BLUEFISH444 SOFTWARE



IngeStore

- 4 channels 3G/HD/SD capture
- Free Uncompressed, DVCPPro, DVHD codecs
- Optional codecs are available
- Optional Edit-While-Record workflows
- Optional REST API and HTTP client



IngeStream

- Multi-channel 3G/HD/SD
- SDI to NDI streaming



Bluefish444 SDK

- Allows developers to integrate Bluefish444 video cards
- Available across Windows, macOS and Linux systems
- Easy-to-follow sample apps with C interface
- DirectShow, GPUdirect, DirectGMA plus more

CROSS-PLATFORM SUPPORT WITH INDUSTRY-LEADING 3RD-PARTY SOFTWARE



For a comprehensive and up-to-date list of supported software, visit bluefish444.com/software

Bluefish444 | Telephone: +61 3 9682 9477 | **Fax:** +61 3 9328 2031 | info@bluefish444.com
 For worldwide reseller and distributor contact information, please go to bluefish444.com/contacts