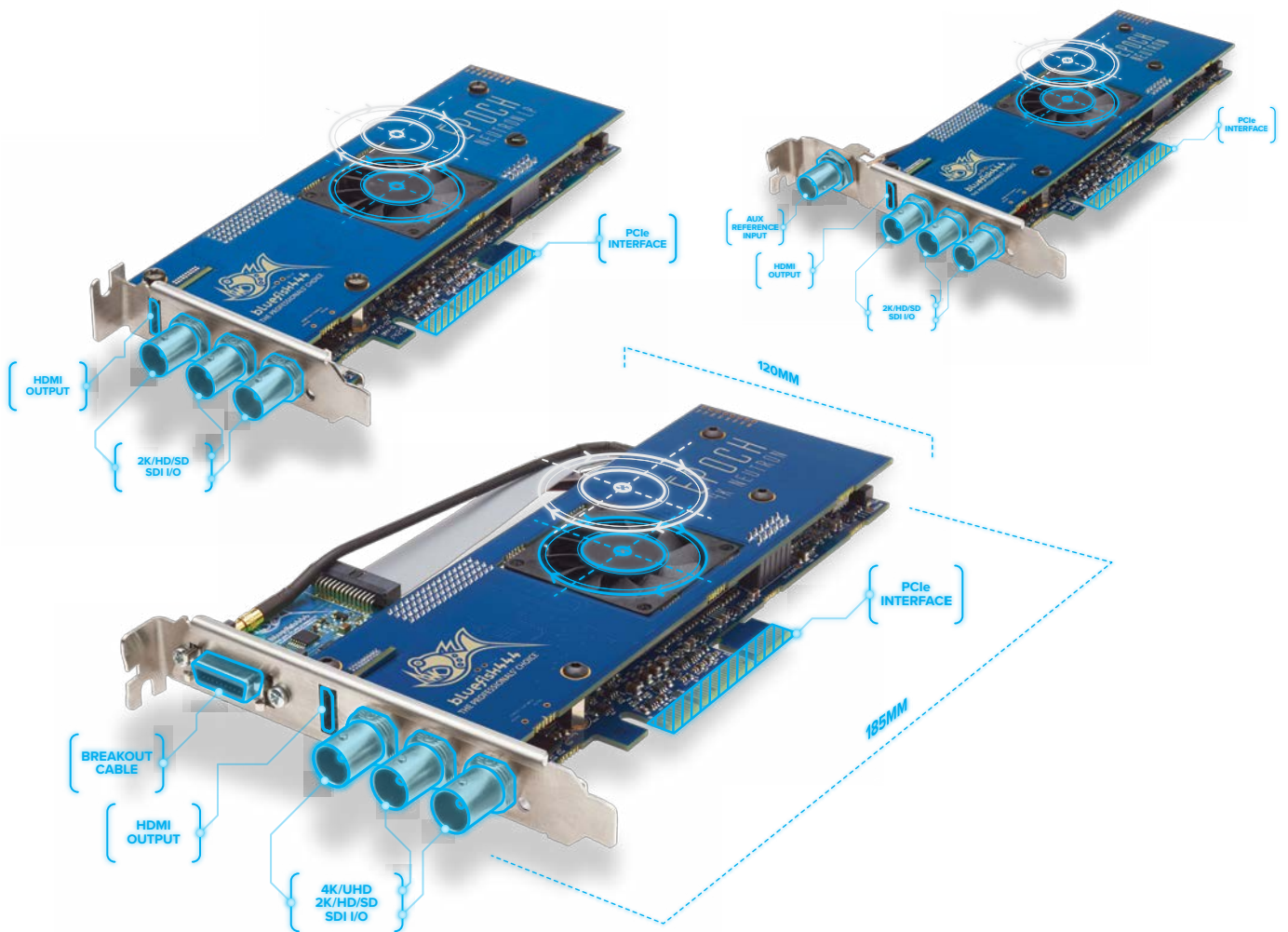




ÉPOCH NEUTRON RANGE

DELIVER THE HIGHEST QUALITY 4K/2K/HD SDI VIDEO

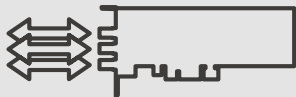


INTEGRATE BLUEFISH444 INTO THE FOLLOWING VERTICAL MARKETS





ALL CARDS IN THE BLUEFISH444 EPOCH | NEUTRON RANGE COME WITH THE FOLLOWING FEATURES:



Bi-directional I/O's provide unrivalled flexibility with industry standard BNC video connectors each allowing 3G/HD/SD-SDI inputs or outputs.



Thunderbolt Expansion Chassis Compatibility with popular manufacturers.



UHD HDMI Monitoring supports and extends to UHD resolutions.*

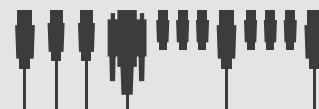
**UHD resolutions available with Epoch | 4K Neutron models only. Epoch | Neutron has a maximum resolution of HD.*



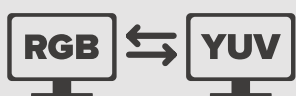
Low-latency Video Keyer allowing video layers to be combined in hardware with just microseconds of delay.



Maintaining a 12-bit processing pipeline means that 4096 discrete values of red, green & blue are maintained per pixel; that's 4 times the colour precision of traditional 10-bit processing!



Maximum Connectivity including RS-422, 8 channels of AES EBU Audio, 2 channels of analogue audio, and auxilliary genlock.



Maintaining the highest quality RGB <=> YUV includes a fully programmable 4 x 4 x 33-bit colour matrix colour space conversion.



Primary Hardware Colour Corrector using the Bluefish444 programmable matrix combined with the on-board 1D LUTs.



HD SD RANGE

**EPOCH
NEUTRON**

EB3007B
\$1,995

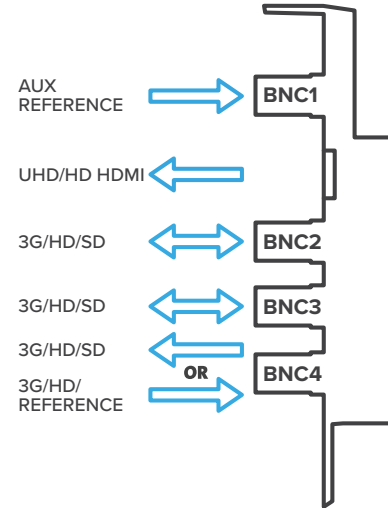
3G RANGE

**EPOCH
4K NEUTRON**

EB3006B
\$2,695

- 3 x HD/SD SDI
- 2K/HD up to 30 fps
- HD HDMI Preview
- Full-height, Half-length PCIe
- AUX Reference Input BNC

- 3 x 3G/HD/SD-SDI
- 4K/UHD up to 30 fps
- UHD/HD HDMI Preview



HD SD RANGE

**EPOCH
NEUTRON**

EB3007C
\$2,095

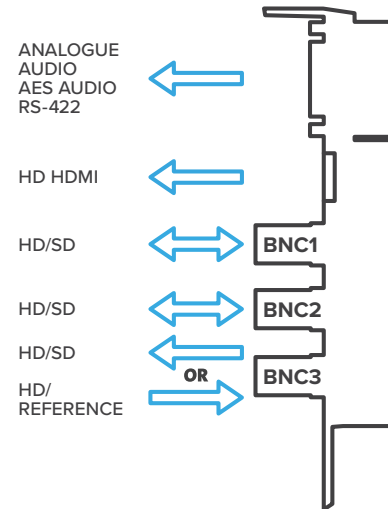
3G RANGE

**EPOCH
4K NEUTRON**

EB3006C
\$2,795

- 3 x HD/SD SDI
- 2K/HD up to 30 fps
- HD HDMI Preview
- Full-height, Half-length PCIe
- AES / ANA / RS-422 / AUX Reference Input

- 3 x 3G/HD/SD-SDI
- 4K/UHD up to 30 fps
- UHD/HD HDMI Preview



HD SD RANGE

**EPOCH
NEUTRON LP**

EB3007F
\$1,995

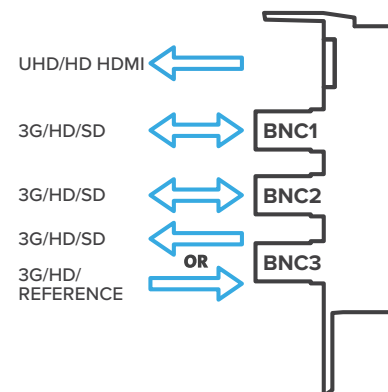
3G RANGE

**EPOCH
4K NEUTRON LP**

EB3006F
\$2,695

- 3 x HD/SD SDI
- 2K/HD up to 30 fps
- HD HDMI Preview
- Low-profile, Half-length PCIe

- 3 x 3G/HD/SD-SDI
- 4K/UHD up to 30 fps
- UHD/HD HDMI Preview



FEATURE	EPOCH NEUTRON		EPOCH NEUTRON LP	EPOCH 4K NEUTRON		EPOCH 4K NEUTRON LP
	EB3007B	EB3007C	EB3007F	EB3006B	EB3006C	EB3006F
Part Number	EB3007B	EB3007C	EB3007F	EB3006B	EB3006C	EB3006F
MSRP (USD)	\$1,995	\$2,095	\$1,995	\$2,695	\$2,795	\$2,695
Max number of Bi-directional SDI I/Os	3		3	3		3
SD-SDI/1.5G HD-SDI/Dual Link 1.5G (4:2:2:4/4:4:4:4)	YES		YES	YES		YES
3G-SDI (Level A+B)/Dual Link 3G (Level A+B)	NO		NO	YES		YES
Quad Link 1.5/Quad Link 3G (Level A+B)	NO		NO	NO		NO
HD HDMI Preview	YES		YES	YES		YES
UHD/HD HDMI Preview	NO		NO	YES		YES
Half-length, Full-height PCIe	YES		NO	YES		NO
Half-length, Low-profile PCIe	NO		YES	NO		YES
Reference Input BNC	YES		YES	YES		YES
Dedicated AUX Reference Input	YES	NO	NO	YES	NO	NO
Breakout Cable 8 x AES Audio I/O, 2 x Analogue Audio Output, RS-422, Auxiliary Reference Input	NO	YES	NO	NO	YES	NO

Please visit bluefish444.com/neutron for more information on available options.

BLUEFISH444 SOFTWARE



IngeStore

IngeStore

- 4 channels 3G/HD/SD capture
- Free Uncompressed, DVCPro, DVHD codecs
- Optional codecs are available
- Optional Edit-While-Record workflows
- Optional REST API and HTTP client



IngeStream

IngeStream

- Multi-channel 3G/HD/SD
- SDI to NDI streaming



SDK

Bluefish444 SDK

- Allows developers to integrate Bluefish444 video cards
- Available across Windows, macOS and Linux systems
- Easy-to-follow sample apps with C interface
- DirectShow, GPUdirect, DirectGMA plus more

CROSS-PLATFORM SUPPORT WITH INDUSTRY-LEADING 3RD-PARTY SOFTWARE



For a comprehensive and up-to-date list of supported software, visit bluefish444.com/software

Bluefish444 | Telephone: +61 3 9682 9477 | **Fax:** +61 3 9328 2031 | info@bluefish444.com
 For worldwide reseller and distributor contact information, please go to bluefish444.com/contacts

