

PortKeys **HS0**
8" HIGH-BRIGHTNESS MONITOR




1100nit

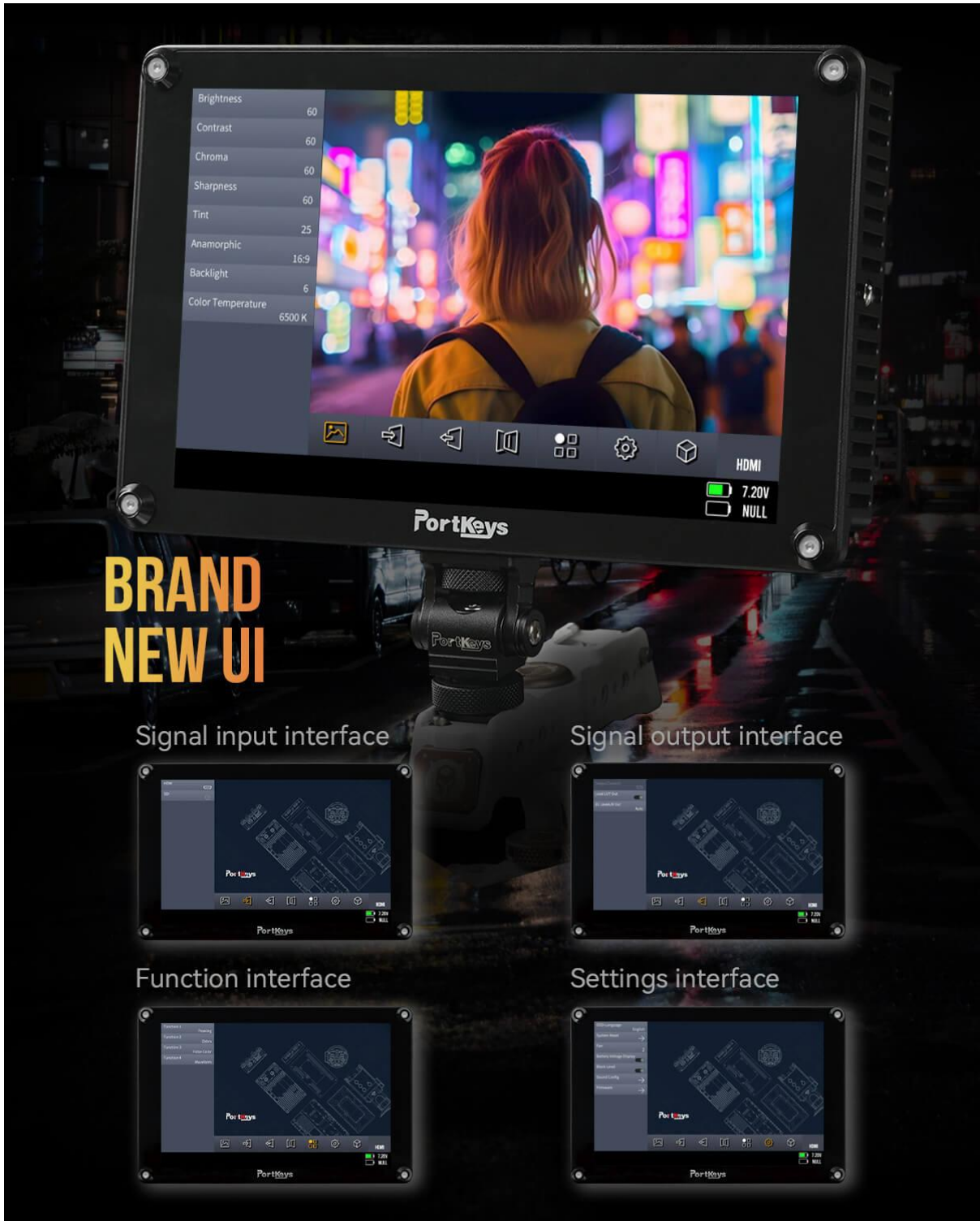

3D LUT

4K
4K HDMI Input


H and V Power
Supply System

8" REC.709 (COLOR GAMUT) 1100 NIT





BRAND NEW UI

Signal input interface



Signal output interface



Function interface



Settings interface



NEW ALUMINUM ALLOY CNC HOUSING

Faster heat dissipation, more rugged and durable



NPF H AND V POWER SUPPLY SYSTEM (PATENT DESIGN)



DUAL BATTERY PLATE



100MMX100MM VESA



ONE 3G-SDI IN/OUT

1. Be caution! Do not expose the wireless transmitter plate when the monitor power on, or it will conduct electricity

RF-powered device should be less or equal to 10W

Yellow screw should be tightened



SDI IN

SDI OUT

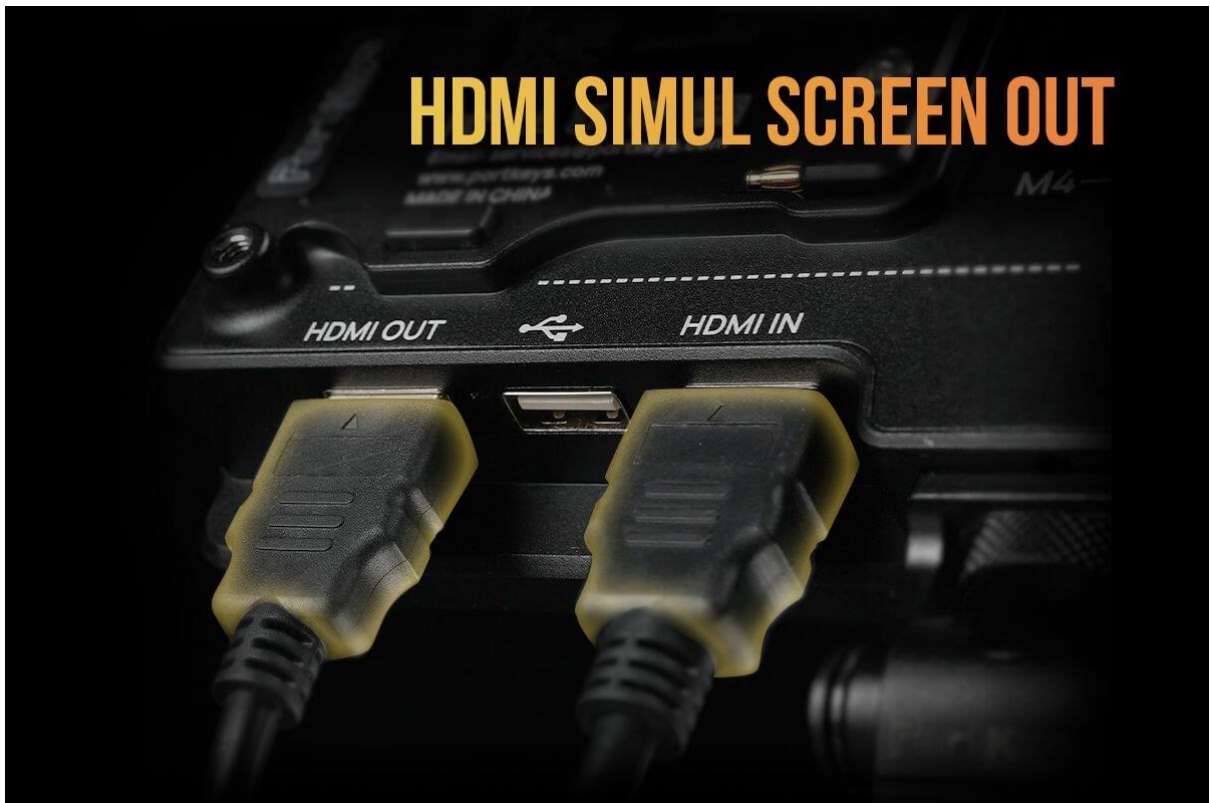
DC 7~20V



HDMI2.0 IN



HDMI SIMUL SCREEN OUT



SDI / HDMI CONVERSION



SDI IN、SDI OUT



HDMI IN、HDMI OUT



SDI IN、HDMI OUT



HDMI IN、SDI OUT

BOTH SDI AND HDMI OUT CAN BE LOADED WITH LUT OUTPUT



BEFORE LOADED LUT

AFTER LOADED LUT

7~20V SCREW-IN DC POWER SUPPLY



MONITOR FUNCTIONS

Knob	Screen brightness
Backlight	Guides
Chroma	HLG
3D LUT	Sharpness
Contrast	Vector Scope
Tint	RGB Histogram
Grids	RGB Waveform
Zebra	Luma Histogram
H Flip	Luma Waveform
V Flip	Audio Meters
Cross Hair	Rectangle Crop
Anamorphic	4 custom shortcut keys
Osd Flip Mode	SDI Load LUT Output
Peaking Focus	SDI output from P turn to I
ARRI False Color	3G SDI Level A/B AUTO Output
13 Colors of False Color	HDMI / SDI Conversion
Preset Color Temperature	HDMI 1080P60 simul screen output
Manual Setting Color Temperature	Red, green, blue, white, and solid color

PARTIAL FUNCTION DISPLAY



Peaking Focus



False Color



Zebra



All-waveform(LUM/RGB/VEC Waveform, LUM/RGB Histogram), Stereo Audio Meters

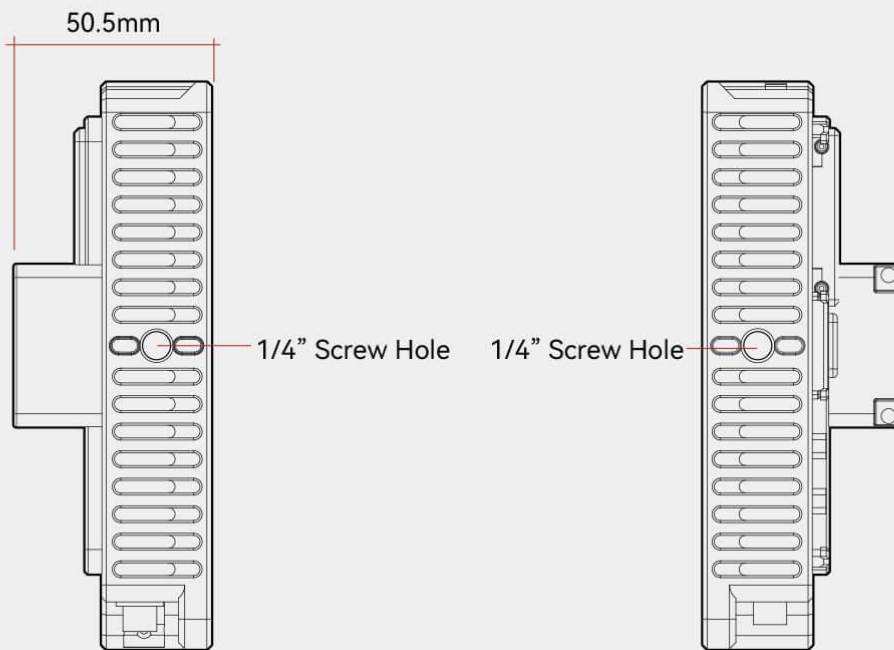
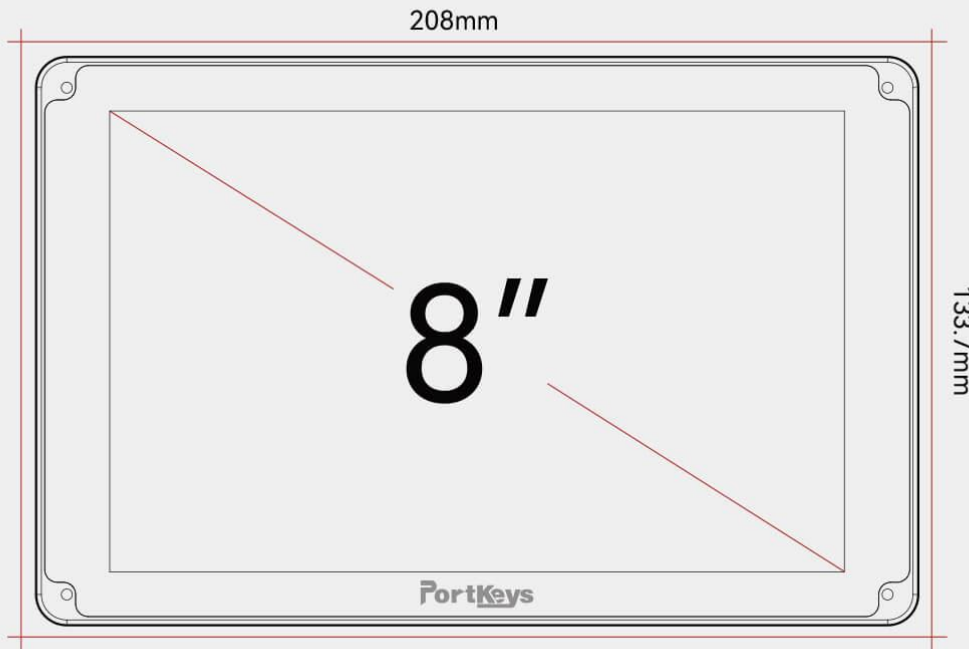


3D LUT Before Opening

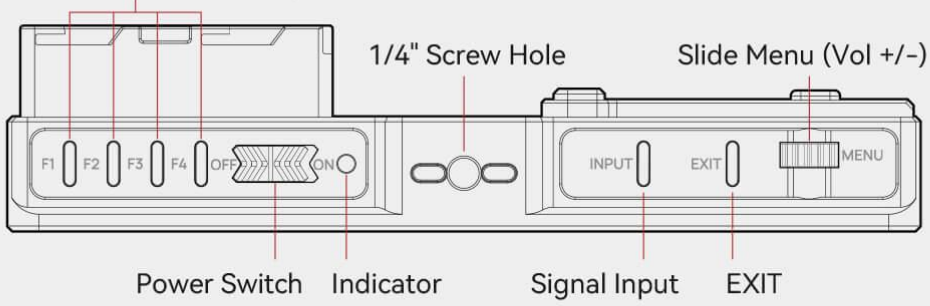


3D LUT After Opening

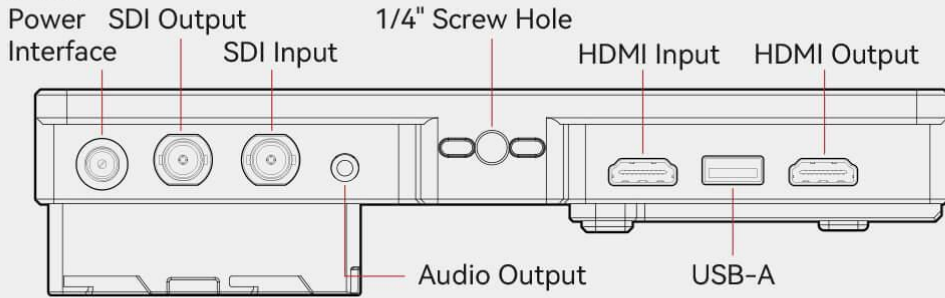
PRODUCT INFORMATION



Custom Function (F key)



7~20V



100X100mm VESA Interface

