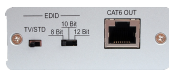




The HDMI 1.3 transmitter over ONE CAT6 is a tool for extending your HDMI signal over long distances to a compatible display. Instead of using expensive HDMI cables, your existing CAT6 cables/sockets can be utilized to perform advanced functions like transferring Deep Color (12 bits/color) video and new lossless compressed (Dolby TrueHD, Dolby Digital Plus and DTS-HD Master Audio) digital audio, with a bandwidth up to 225MHz. The HDMI 1.3 Transmitter and receiver, over ONE CAT6 extender is your substantial HDMI extender tool.

PANELS

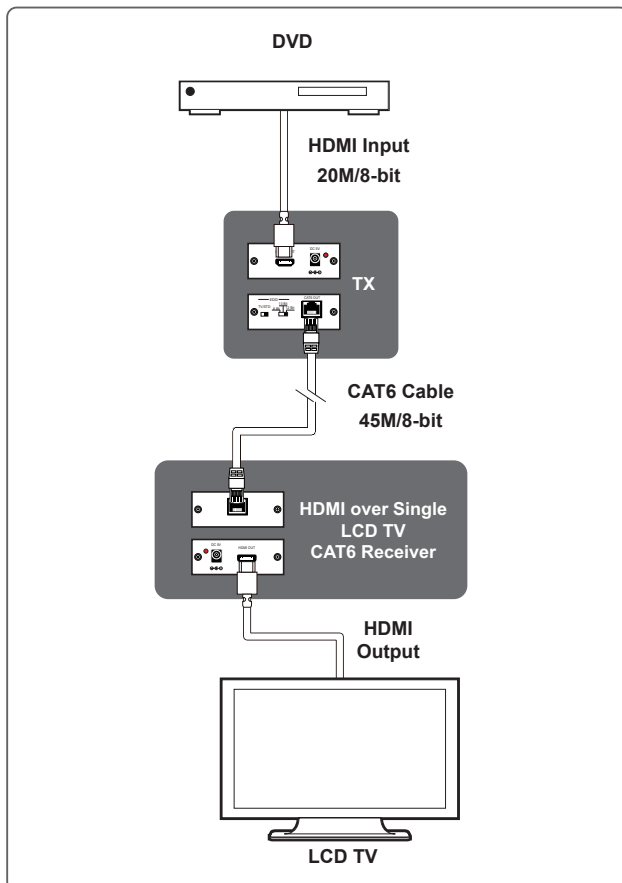


Front View



Rear View

DIAGRAM



FEATURES

- Supports digital video formats in 'Deep Color' mode at up to 36-bit (12-bit/color) Supports lossless compressed Digital Audio formats (Dolby TrueHD, Dolby Digital Plus and DTS-HD Master Audio)
- Uses a single CAT6 cable for Data/DDC transmission
- Equalizes and recovers incoming TMDS data before re-transmitting it in optimal quality regardless of the incoming signal quality
- Supports HDMI cable distances of up to 20 meters at 1080p/8-bit and 12-bit resolutions
- Supports CAT6 cable distances of up to 45 meters at 1080p/8-bit resolution and 10 meters at 1080p/12-bit resolution
- Supports x.v.YCC

SPECIFICATIONS

Interfaces

Input Port	1 x HDMI (Type A)
Output Port	1 x CAT6 (RJ-45)

Video

HDMI Compliance	HDMI 1.3 (DVI 1.0)
HDCP Compliance	1.1
Input Signal Type	1920x1080p60 12-bit
Output Signal Type	1920x1080p60 12-bit

		Resolutions
Maximum Input	HDMI	1920x1080p@60 1920x1200p@60RB
Maximum Output	CAT6	1920x1080p@60 1920x1200p@60RB

Power

Power Supply	5V/1A DC (US/EU standards, CE/FCC/UL certified)
Power Consumption	3.5W

Enclosure

Chassis Material	Metal (Aluminum)
Chassis Color	White
Dimensions (W×H×D)	78.5 mm x 30 mm x 102 mm
Weight	182g

Field Firmware Update

PCB on board, uses RS232

ORDERING INFORMATION

Model No.	Product Description
CH-1107TX	HDMI v1.3 over ONE CAT6 HDMI Transmitter
CH-107RXN	HDMI over Single CAT6 Receiver