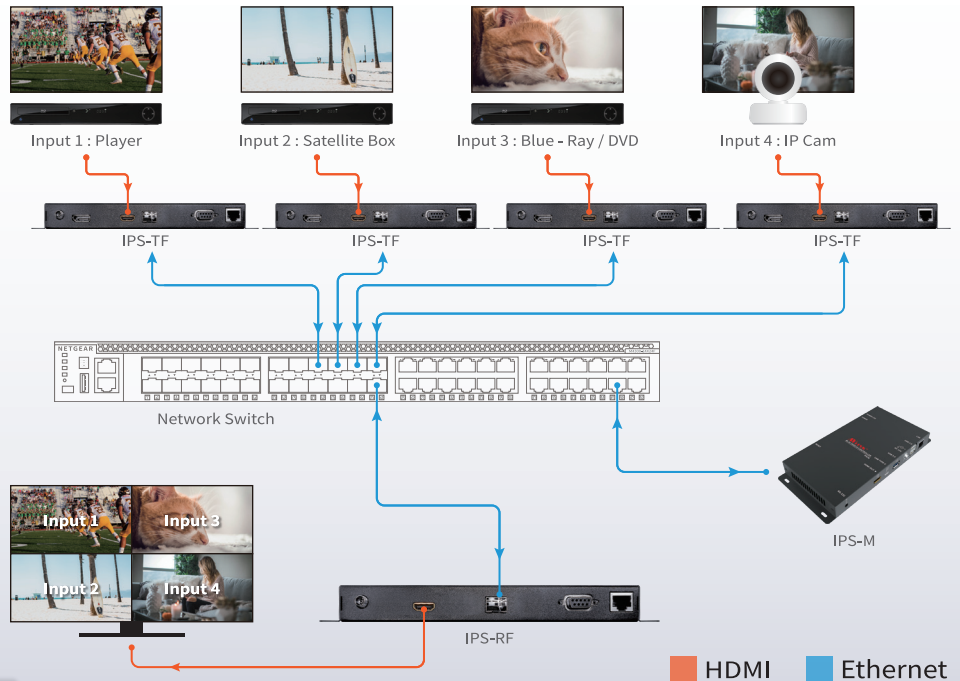




NETWORK DIGITAL SIGNAGE SOLUTION

- ◆ Support 4K 4:4:4 60fps and HDR Resolution
- ◆ Support Multi-View/TV Wall Display
- ◆ Media Distribution Using 10GbE Network
- ◆ Fully Automatic Control by One Controller



Introduction

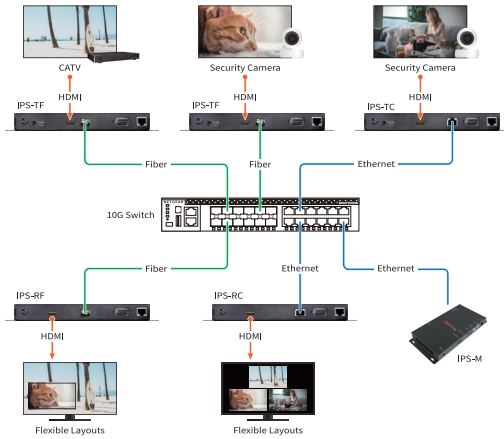
The IPS series is a True 4K AV over IP solution with zero compression and zero latency while obtaining its flexibility and scalability in AV distribution. In leverage of the benefit of SDVoE technology, combining with a powerful controller, which offers user-friendly API based interface to configure a flexible AV over IP system effectively through a web GUI. With integration of such complex system, our server based controller can have remote access to each device and monitor its status within the network. AV LINK's IPS series delivers the most extraordinary 4K AV over IP system in Pro AV industry.

Controller Features

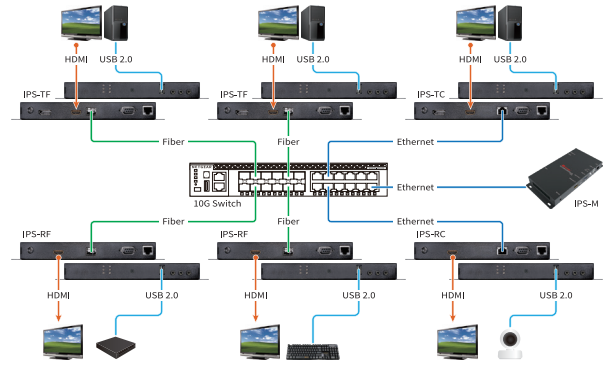
- ◆ Instant deployment available for the SDVoE controller to provide frag and drop source selection
- ◆ Provides automatic discovery of SDVoE TX/RX devices
- ◆ Simple, intuitive APP-based configuration of TX and RX resolution, color space and frame rate
- ◆ Single ethernet port for complete isolation of control and AV network traffic
- ◆ IP control via LAN
- ◆ Unified control and configuration access for most SDVoE components
- ◆ Compatible with configuration files from PC configurator to quickly and reliably perform matrix operations for TX / RX
- ◆ APP-based configuration
- ◆ Easy to control the whole system only via ethernet port



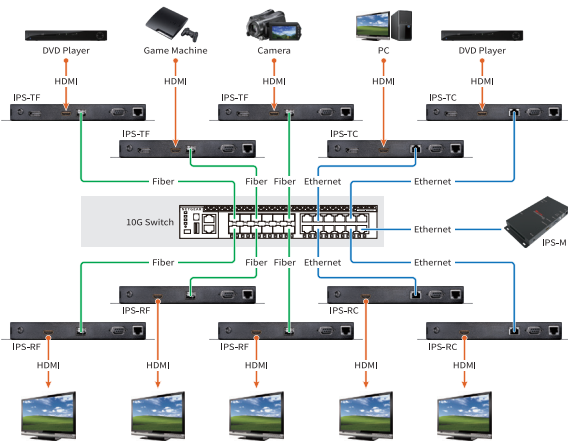
Multi-View



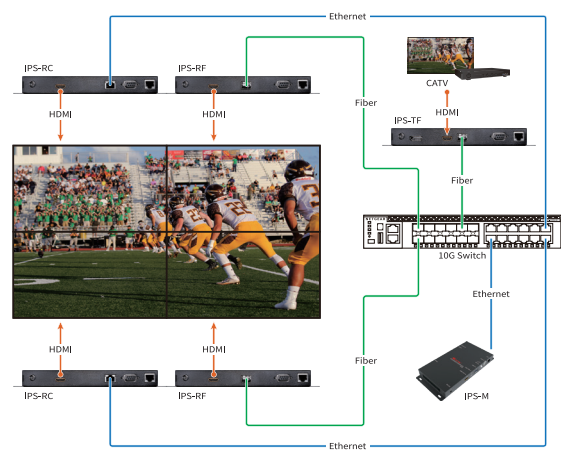
KVM



Matrix Switch



Video Wall



Functions and Specifications

HDMI Input	True 4K/60 4:4:4 and HDR HDMI 2.0 compatible input port Support HDCP 1.4 and 2.2
HDMI Output	True 4K/60 4:4:4 and HDR HDMI 2.0 compatible Output port Support HDCP 1.4 and 2.2
10G-SFP+ Transport	XFI interface 10GBASE-T 100m with Cat6a cable Multi-mode fiber 300/500m with OM3/OM4 fiber Single-mode fiber up to 30km
Video Routing	Lightweight 1.4 to 1 artifact-free compression
Audio Routing	Up to 8 channels of original HDMI audio Up to 8 channels of original I2C audio
1G Control Interface	RGMII compatible interface Built-in ethernet switch connects 1GbE ethernet to 10GbE interface
USB Routing	Up to 480 Mbps
RS232 Routing	Baud rate up to 115200
Video Scaling	Upscaling (TV wall) and downscaling (Multi-view) Color space, chroma sampling, and frame-rate conversion Multi-source video compositing Video wall processing with bezel correction and display synchronization