

Ikegami

18.5 INCH SD / HD / 3G-SDI IN / OUT

LED

FULL HD 1080p



SD · HD · 3G-SDI

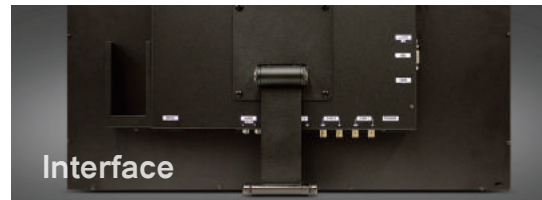
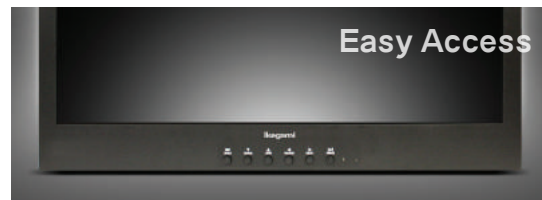
ULE-185U

OVERVIEW

The IKEGAMI ULE-185U incorporates the SD / HD / 3G-SDI formats with latest panel and image processing technology to provide higher contrast and accurate scaler at a price that fits your budget.

FEATURES

- » Full HD display that delivers real time broadcast grade images
- » LED backlight to extend the lifetime and save power
- » SD / HD / 3G-SDI (level A) is supported in addition to composite, PC (VGA), HDMI inputs
- » Haze 25%, 3H surface coating
- » Wireless remote control



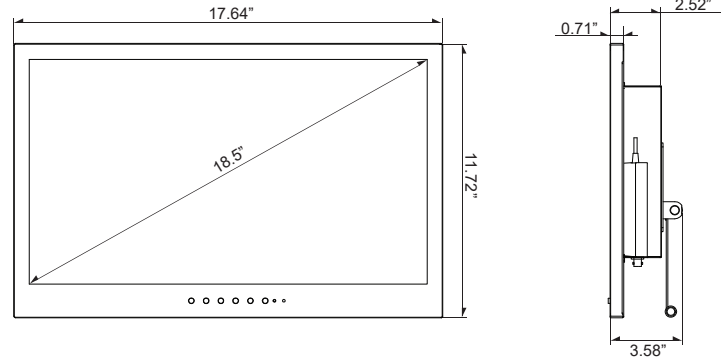
ULE-185U

SD / HD / 3G-SDI INPUT MONITOR

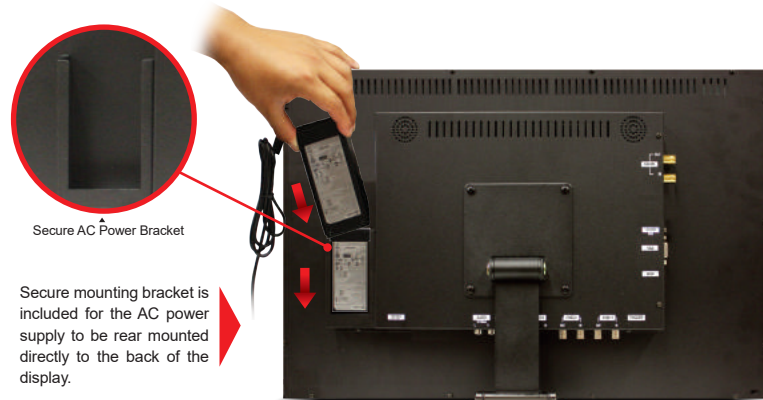
SPECIFICATIONS

DISPLAY		
Screen Size		18.5 Inch
Max. Resolution		1366 x 768 @ 60Hz
Pixel Pitch		0.300 x 0.300mm
Brightness		250cd/m2
Contrast Ratio		1000 : 1
Aspect Ratio		16 : 9
Viewing Angle (H/V)		170° / 170°
Display Color		16.7 Million
Response Time		14 ms
Video System		NTSC / PAL
INTERFACE		
SDI In / Out		1 In / 1 Out
	SD-SDI	525i (59.94) NTSC, 625i (50) PAL
	HD-SDI	720P (50 / 59.94 / 60) 1080i (50 / 59.94 / 60) 1080P (23.98 / 24 / 25 / 29.97 / 30) 1080PsF (25 / 29.97 / 30)
	3G-SDI	1080P (50 / 59.94 / 60)
Video In / Out (BNC Type)		2 In / 2 Out
HDMI In		1 In
VGA In (15Pin D-Sub)		1 In
Audio In (RCA Type)		2 Left & Right
PC Stereo In		1 In
TRANSMITTER		
Remote Control		Yes
AUDIO		
Built-in Speakers		Yes (1W x 2)
FEATURES		
Filter Type		3D Comb Filter is built-in
Deinterlacing		Yes
Noise Reduction		Yes
Trigger Source Switching		Yes
Auto Pixel Shift		Yes
Auto Source Sequencing		Yes
Multi Language		English, Spanish, French, German, Italian
General (W x H x D)		
Outline Dimension (w/Stand)		17.64" x 11.72" x 3.58"
Net Weight		4.8Kg (10.58 lbs)
Material / Color		Metal / Black, Electro-Galvanized Steel
Desk Top Stand		Kick Type
Power		DC 12V
Operating Temperature		0 ~ 50° C / 32 ~ 122° F
Storage Temperature		-20° ~ 60° Celsius
Optional Mounts		
VESA™ Mount Size		100 x 100mm
Rackmount		IK-RMK-08V
Wall		WB-5, WB-10, WB-30, WB-31
Ceiling		CMK-01

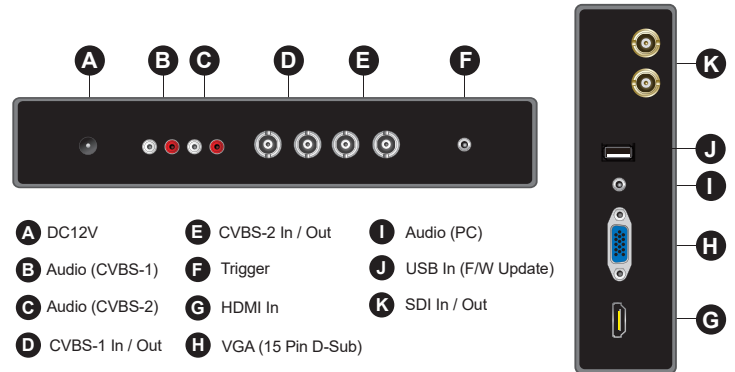
DIMENSIONS



REAR VIEW AC ADAPTER



INPUT INTERFACE



OPTIONAL RACK MOUNT EAR



*Design and specifications are subject to change without notice