



PTZ310N & PTZ330N

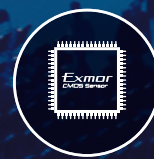
NDI®|HX PTZ Cameras



* Only PTZ310N has Zoom Rooms Certification.



NDI HX2



Exmor™ CMOS
Sensor



Full NDI®|HX for Greater Reach

The PTZ310N/330N complies with the most rigorous NDI® standards to deliver the lowest latency for on-air camera control, switching, and streaming—all via IP connection. It makes live broadcasts faster and simpler, allowing users to stream for larger audiences without complicated and expensive equipment. Design efficient and flexible IP workflows at will.



Higher Quality with a CMOS Sensor

Designed with a 1/2.8-type Exmor™ CMOS sensor, the PTZ310N/330N delivers a robust autofocus for high-quality video. Even in poorly lit environments that are too dark or bright, it delivers brilliant colors and detailed video in 1080p at 60fps. Outstanding performance and video quality make live recording extremely convenient.

NDI® is a registered trademark of NewTek, Inc.
NDI®|HX is technology of NewTek, Inc.

FUTURE-READY IP WORKFLOWS

Equipped with NDI®|HX capability, the PTZ310N/330N provides flexibility and extensive applications through a single IP cable, simplifying live-production workflows by rapidly transmitting various video and audio signals. It presents every angle of studio productions, live events, worship services, auditorium lectures, sports and gaming competitions, online and distance learning classes, multinational conferences, personnel training sessions, and more, enabling users to create truly impressive content. Enjoy efficient and simple setup, and design comprehensive NDI-based productions.



12X/30X
Optical Zoom



RTSP/RTMP
Livestreaming



IP/HDMI/
USB/3G-SDI



SmartShoot



SmartFrame



Upside-Down
Installation



12X/30X Optical Zoom

Sporting a 12X/30X optical zoom and a 1/2.8" sensor, the PTZ310N/330N renders a 72.5° – 6.3° / 67° – 2.3° field of view. Plus, our motion control algorithms enable pan/tilt rotation maneuvers as small as 0.1° per step while constantly capturing crystal-clear images.



Seamlessly Track in Preset Zones

AVer SmartShoot optimizes your camera controls for automatic and seamless content capturing between preset areas so that you can create an uncompromising multi-camera feeling with just one PTZ310N/PTZ330N. Save time and effort while unlocking a huge variety of options for your video.



Ideal FOV in Seconds

AVer's new SmartFrame provides one-touch face targeting technology that lets you quickly create stunning video content. This innovative solution instantly adjusts your FOV to fit everyone on-screen, so you can start recording with no hassle.

Product Specifications		PTZ310N	PTZ330N
Camera	Image Sensor	1/2.8" 1080p 60fps Exmor CMOS	
	Effective Picture Elements	Approx. 2.1 Megapixels	
	Output Resolution	Auto, 1080p/60, 1080p/59.94, 1080p/50, 1080i/60, 1080i/59.94, 1080i/50, 1080p/30, 1080p/29.97, 1080p/25, 720p/60, 720p/59.94, 720p/50	
	Minimum Illumination	0.4 lux (IRE50, F1.6, 30fps)	0.3 lux (IRE50, F1.6, 30fps)
	S/N Ratio	> 50dB	
	Gain	Auto / Manual	
	TV Line	800 (Center/Wide), 700 (Corner/Wide)	800 (Center/Wide), 600 (Corner/Wide)
	Shutter Speed	1/1s to 1/32,000s	
	Exposure Control	Auto, Manual, Priority AE (Shutter, IRIS), BLC	
	White Balance	Auto / Indoor / Outdoor / One-push / Manual (2500 – 10000)	
	Optical Zoom	12X	30X
	Digital Zoom	12X	
	Horizontal Viewing Angle	72.5° (Wide) – 6.3° (Tele)	67° (Wide) – 2.3° (Tele)
	Focal Length	f = 3.9 mm (Wide) – 46.8 mm (Tele)	f = 4.3 mm (Wide) – 129 mm (Tele)
	Aperture (Iris)	F = 1.6 (Wide) – 2.8 (Tele)	F = 1.6 (Wide) – 4.7 (Tele)
	Minimum Working Distance	0.3 m (Wide), 1.5 m (Tele)	0.01 m (Wide), 1.2 m (Tele)
	Pan / Tilt Angle	Pan: +170°, Tilt: +90°/-30°	
	Pan / Tilt Speed (Manual)	Pan: 0.1 – 100° /sec, Tilt: 0.1 – 100° /sec	
Preset Speed	Pan: 200° /sec, Tilt: 200° /sec		
Preset Position	10 (IR), 255 (RS-232)		
Camera Control - Interface	RS-232 (DIN8) / RS-422 (RJ45)		
Camera Control - Protocol	VISCA (RS-232/RS-422/IP), CGI (IP)		
Image Processing	Noise Reduction (2/3D), Flip, Mirror		
Power Frequency	Auto / 50Hz / 60Hz		
Audio	Channel	2ch (Stereo)	
	Codec	AAC-LC (48/44.1/32/24K), G.711/PCM (8K)	
	Sample Rate	48 / 44.1 / 32 / 24 / 16 / 8Khz	
Interface	Video Output	3G-SDI, HDMI, IP, USB	
	Audio Output	3G-SDI, HDMI, IP, USB	
	Audio Input	MIC / Line In	
General	Power Requirement	AC100V-AC240V to DC12V/5A	
	PoE	PoE+ (IEEE 802.3at), Class 4	
	Operating Condition	Temperature: 0°C – +40°C ; Humidity: 20% – 80%	
	Storage Condition	Temperature: -20°C – +60°C ; Humidity: 20% – 95%	
	Dimensions	L = 180 mm, W = 145 mm, H = 183.5 mm	
	Weight	1.74 kg	1.62 kg
	Application	Indoor	
	Security	Kensington Slot	
	Remote Control	Infrared	
	Accessory	Remote Control, 12V/5A Power Adapter	
IP Streaming	Resolution	1920x1080, 1280x720, 960x540, 640x480	
	Network Video Compress Format	H.264 (High Profile), MJPEG	
	Maximum Frame Rate	H.264:60fps (1920x1080), MJPEG:30fps (1920x1080)	
	Bit-rate Control Mode	VBR / CBR (selectable)	
	Range of Bit-rate Setting	512Kbps – 32Mbps	
	Network Interface	10 / 100 / 1000Base-T	
	Multi-stream Capability	2	
	Network Protocol	IPv4, TCP, UDP, ARP, ICMP, IGMP, HTTP, DHCP, RTP/RTCP, RTSP, RTMP, ONVIF, VISCA over IP	
USB	NDI® HX Capability	Yes (NDI HX2)	
	Connector	Micro-USB 2.0	
	Video Format	YUV, MJPEG, H.264	
	Maximum Video Resolution	Up to 1080p	
Web UI	USB Video Class	UVC1.1	
	USB Audio Class	UAC1.0	
	Live Video Preview	Yes	
	Camera PTZ Control	Pan / Tilt / Zoom / Focus / Preset Control	
Software Tools	Camera / Image Adjustment	Exposure / White Balance / Picture	
	Network Configuration	DHCP / IP Address / Gateway / Subnet Mask / DNS	
Warranty	Device IP Searching, Configuration Tool	Windows® Application	
	Camera	3 Years	
	Accessories	1 Year	

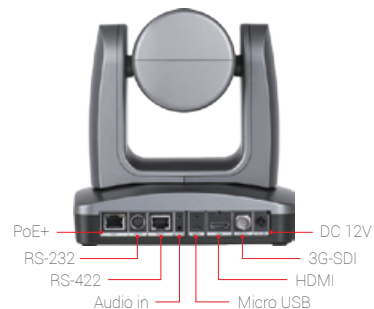
* Specifications may vary depending on location and are subject to change without notice.

Product Appearance

Front Panel



Back Panel



©2021 Aver Information Inc. All rights reserved.
All brand names and logos are trademarks of their respective companies.

Distributor/Dealer