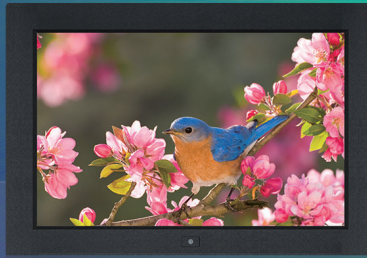


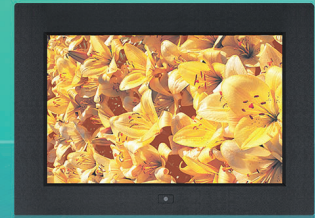
Professional and Versatile LED Monitor

UltraView WUXGA LED monitor supports 1920 x 1200 resolution. 16.7 million colors achieve optimal picture quality. Improved energy efficiency and fan-less architecture provides professional-use durability and around-the-clock operation.

X24"



X17"



UltraView WUXGA professional LED is more than just a standalone monitor. UltraView has a variety of embedded modules including Multi-Monitor OSD Controller and SDI Input. The embedded modules give you the ability of video remote management and transmission for multiple monitors over network.

As a versatile WUXGA monitor, UltraView WUXGA professional LED is meticulously designed to meet professional and environmental demands including Front protection, Touchscreen, Anti-reflective/Vandal proof glass, DC power input, Brightness dimming and Mounting kit for VESA-mount, Universal-mount, Desktop stand and Panel-mount.

With over 25 years' production experience, the UltraView structure is well-engineered and manufactured by our own CNC facilities and team of experts to ensure its ruggedness, mobility and quality, as well as being suitable for harsh environment applications. The structure can be customized if required to facilitate monitor installation. Our knowledgeable engineers are able to provide frame customization for specific dimensions, color, metal treatment, screen printing, bezel and mounting.

Product Highlights



Key Benefits

- ▶ 1920 x 1200 WUXGA native resolution
- ▶ 16.7 M colors (8-bit for X17")
- ▶ X24": HDMI 1.3 + DVI-D + S-Video + BNC + VGA
- ▶ X17": HDMI 1.4 + DVI-D + VGA
- ▶ PIP Sub-screen & PBP Dual-screen viewing efficiency
- ▶ Video decoding capability up to 1080p (option)
- ▶ Rugged structure ensures high mobility
- ▶ IP65 front protection (NAP series)
- ▶ Professional-use durability & around-the-clock operation
- ▶ 2-year standard warranty (upgradable up to 5 years)

Applications

- Broadcasting / Advertising
- Traffic control / Command center
- Directory / Ticket kiosk
- Surveillance system
- Vehicle mount display
- Bathroom TV

Options

- DC power
- Touchscreen
- IP65 front protection
- Custom chassis & mounting
- Multi monitor OSD control module
- 3G / HD / SD-SDI Input Module
- Auto dimming
- Manual dimming

6mm aluminum front bezel



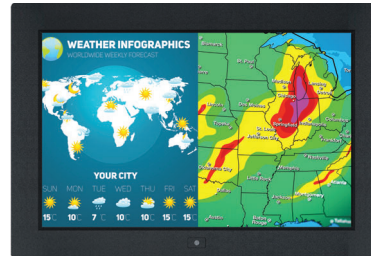
AP-X24
AP-X17

Aluminum front cover



DP-X24
DP-X17

6mm aluminum front bezel
NEMA 4 / IP65 front protection



NAP-X24
NAP-X17

Universal open frame



OP-X24
OP-X17

Chassis customization

- ▶ Dimension
- ▶ Color & Treatment
- ▶ Screen Printing
- ▶ Stainless Steel Bezel

Option — Touchscreen & Glass Protection

Touchscreen type	X24	X17
e-Resistive 1-point Touch		✓
Anti-reflective Glass		✓
Vandal Proof Glass		✓

Specification : e-Resistive 1-point Touch

	TRB e-Resistive
Technology	5-Wire Resistive
Touch Point	Single
Input Type	Finger or Stylus
Resolution	2048 x 2048
Response Speed	15 ms
Activation Force	≤ 50 g
Surface Hardness	3H
Light Transmission	80% ± 3%
Haze	8% ± 3%
Durability	10 million touches
Top Layer	ITO Film
Bottom Layer	ITO Glass
Thickness	3.2 ± 0.2 mm
Connector	USB Type A
Compatibility	Windows 7 / XP / Linux / Mac

Part no. : TRB

* Not applicable to NAP series

** Dimension change required

Options — DC Power

		12V	24V	48V	125V
Input rating	Input voltage	12-Volt	24-Volt	48-Volt	110-Volt
	Input range	9 ~ 18V	18 ~ 36V	36 ~ 75V	66 ~ 160V
Input current	No load	50 mA	50 mA	50 mA	35 mA
	Full load	4950 mA	2450 mA	1220 mA	749 mA
Output rating	Output voltage	12-Volt	12-Volt	12-Volt	12-Volt
	Output current	4.16A	4.16A	4.16A	6.25A
Efficiency		84%	85%	85%	91%

Part no. : 12VDC

24VDC

48VDC

125VDC

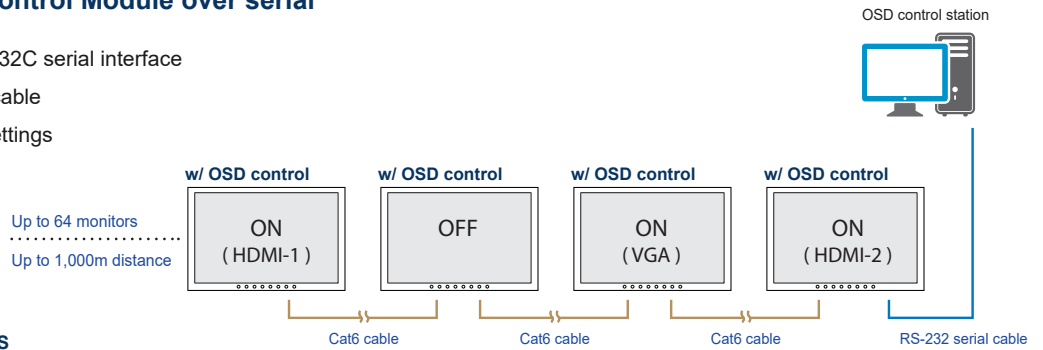
Options — Video Management & Transmission over Network

Embedded Multi Monitor OSD Control Module over serial

- Remote control the monitor OSD via RS-232C serial interface
- Daisy chain up to 64 monitors via Cat5/6 cable
- Individual ID for individual monitor OSD settings
- Power ON or OFF monitor
- Adjust brightness & audio
- Switch video sources

Part no.

Embedded Multi Monitor OSD Control Module : **MCS**

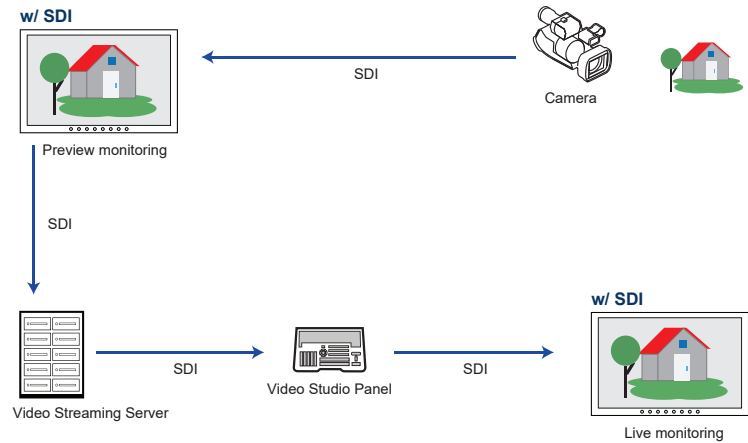


Embedded 3G / HD / SD-SDI Input Module

- Intelligent SDI monitoring with broadcast quality scopes
- Supports multi-rate 3G / HD / SD-SDI format
- Provides input to output loop-through capability
- Auto format sensing & selection

Part no.

Embedded 3G / HD / SD-SDI Input Module : **SDI**



Embedded Manual Brightness Dimming Knob

- Easy-to-use IP54 dimming knob on the front panel
- One click causes 2% brightness increase or decrease
- Brightness adjustment from 0% to 100%

Part no.

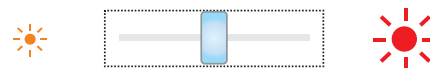
Brightness Dimming Knob : **DS-01**

Embedded Auto Brightness Dimming Module

- Brightness changes according to its ambient brightness
- Its brightness change causes 10% increase or decrease

Part no.

Embedded Brightness Auto Dimming Module : **DA-01**



Product Specifications

LCD Panel	X24	X17
Panel size (diagonal)	24.1"	16.2"
Native resolution	1920 x 1200	
Brightness (cd/m ²)	300	
Contrast ratio (typ.)	1000 : 1	800 : 1
Colors	16.7 M	16.7 M, 8-bit
Viewing angle (L/R/U/D)	89/89/89/89	
Response time (ms)	14	30
Dot pitch (mm)	0.27	0.191
Display area (mm)	518.4H x 324V	343.8H x 214.9V
Surface treatment	Anti-glare, Hard-coating	
Surface hardness	3H	
Backlight type	LED	
MTBF (hrs)	30,000	20,000

Mounting	X24	X17
VESA mount (bundle)	100 x 100 mm	100 x 100 mm
Universal mount (ready)	OP only	OP only
Overhead tilted wall-mount (optional)	AP / NAP / DP	AP / NAP / DP
Desktop stand (optional)	AP / NAP / DP	AP / NAP / DP

Power	X24	X17
Input	Auto-sensing 100 to 240VAC, 50 / 60Hz	
Max. Consumption :		
Screen on	33W	34W
Saving mode	2W	4W
Button off	1W	1W

Design	AP	NAP	DP	OP
Protection	6mm front bezel	NEMA 4 / IP65	Front cover	Open frame
Front panel	Black, RAL 9005			-
Rear casing	Black, RAL 9005			

Video	
DVI	DVI-D single link
HDMI	HDMI 1.3 / HDCP 1.3 (for X24 only) HDMI 1.4 / HDCP 1.4 (for X17 only)
VGA	Analog 0.7Vp-p
Composite (BNC)	NTSC & PAL (for X24 only)
S-Video (4-pin)	NTSC & PAL (for X24 only)

DVI-D / VGA input	
PC signal	1920 x 1200 x 60Hz 1360 x 768 x 60Hz 1280 x 1024 x 60 / 75Hz 1280 x 960 x 60Hz 1280 x 768 x 60 / 75Hz 1152 x 864 x 75Hz 1024 x 768 x 60 / 70 / 75Hz 848 x 480 x 60Hz 800 x 600 x 60 / 72 / 75Hz 720 x 400 x 70Hz 640 x 480 x 60 / 72 / 75Hz 640 x 400 x 70Hz 640 x 350 x 70Hz
Audio signal	2ch Linear PCM

Audio	
Audio input :	
Connector	3.5mm stereo jack
Impedance / Power level	30kΩ / 750mV
Audio output :	
Connector	3.5mm stereo jack
Resistance / Power level	30kΩ / 2.8V
Speaker :	
Dual stereo speaker	2W x 2

* When the audio output is connected, speaker output is OFF

** Only Audio input are bundled for X24 series

HDMI input	
PC signal	Same as VGA
HDMI 1.4 / 1.3	1920 x 1080 x 50 / 60Hz (1080p) 1920 x 1080 x 25 / 30Hz (1080i) 1280 x 720 x 50 / 60Hz (720p) 720 x 480 x 50 / 60Hz (576p / 480p)
Audio signal	2ch Linear PCM

Product Specifications

Environment	
Operating temp.	0 to 55°C degree
Storage temp.	-20 to 60°C degree
Operating humidity	20~90%, non-condensing
Storage humidity	5 ~90%, non-condensing
Operating altitude	16,000 ft
Non-operating altitude	40,000 ft
Shock	10G acceleration (11ms duration)
Vibration	10~300Hz 0.5G RMS random

Compliance	
EMC	FCC & CE
Safety	CE / LVD & UKCA
Environment	RoHS3 & REACH

Physical Dimension & Weight

X24"		AP-X24	NAP-X24	DP-X24	OP-X24
Product (W x D x H) :	mm	620.4 x 70.1 x 426		589.4 x 81.7 x 395	617.4 x 63.6 x 423
	inch	24.4 x 2.8 x 16.8		23.2 x 3.2 x 15.6	24.3 x 2.5 x 16.7
Net weight		10.9 kg / 24 lb	12.4 kg / 27.3 lb	10 kg / 22 lb	9 kg / 19.8 lb
Packing (W x D x H) :	mm	701 x 121 x 685			
	inch	27.6 x 4.8 x 27			
Gross weight		14.7 kg / 32.3 lb	16.2 kg / 36.5 lb	13.7 kg / 30.1 lb	12.7 kg / 27.9 lb

X17"		AP-X17	NAP-X17	DP-X17	OP-X17
Product (W x D x H) :	mm	468.5 x 57.1 x 331		437.5 x 51.9 x 300	465.5 x 50.6 x 328
	inch	18.4 x 2.2 x 13		17.2 x 2 x 11.8	18.3 x 2 x 12.9
Net weight		4.9 kg / 10.8 lb	5.6 kg / 12.3 lb	4.4 kg / 9.7 lb	3.8 kg / 8.4 lb
Packing (W x D x H) :	mm	615 x 113 x 523			
	inch	24.2 x 4.4 x 20.6			
Gross weight		7.7 kg / 16.9 lb	8.4 kg / 18.5 lb	7.1 kg / 15.6 lb	6.5 kg / 14.3 lb

* All dimensions stated are subject to change if options are selected / integrated to base model part codes

UltraView Family

UltraView series covers a full range of professional LCD display sizes. Please select from the below the most suitable model for your application.

Sales Inquiry

inquiry@austin-hughes.com

Technical Support

support@austin-hughes.com

4K	FHD	FHD 144Hz	WXUGA (1920 x 1200)	Regular
<ul style="list-style-type: none"> ● K55" ● K43" ● K32" ● K28" ● K23" ● K17" ● K15" ● K13" 	<ul style="list-style-type: none"> ● F55" ● F43" ● F32" ● F28" ● F23" ● F21" ● F19" ● F17" ● F15" ● F13" 	<ul style="list-style-type: none"> ● MF27" 	<ul style="list-style-type: none"> ● X24" ● X17" 	<ul style="list-style-type: none"> ● W19" (1440 x 900) ● 20" (1600 x 1200) ● 19" (1280 x 1024) ● 17" (1280 x 1024) ● 15" (1024 x 768) ● 12" (800 x 600) ● 10" (800 x 600)

High Brightness

4K	FHD	Regular
<ul style="list-style-type: none"> ● K55" ● K43" 	<ul style="list-style-type: none"> ● F55" ● F43" ● F32" ● F21" ● F19" ● F17" ● F15" 	<ul style="list-style-type: none"> ● W19" (1440 x 900) ● 19" (1280 x 1024) ● 17" (1280 x 1024)

Sunlight Readable Brightness

Americas

Austin Hughes Solutions Inc.
32900 Alvarado-Niles Rd, Suite 150
Union City, CA 94587
United States

inquiry@austin-hughes.com

EMEA

Austin Hughes Europe Ltd.
Unit 1, Chancery Gate Business Centre
Manor House Avenue
Southampton, SO15 0AE
United Kingdom

sales@austin-hughes.co.uk

APAC

Austin Hughes Electronics Ltd.
Unit 3608-12, Cable TV Tower
9 Hoi Shing Road, Tsuen Wan
Hong Kong

inquiry@austin-hughes.com

ASEAN

Austin Hughes Pte. Ltd.
3 Ang Mo Kio Street 62
#07-03 Link@AMK
Singapore 569139

inquiry@austin-hughes.com

Austin Hughes has an extensive distribution network, including the Americas, EMEA, APAC & ASEAN. Contact your nearest sales office for details of local representation.

Please ask for details of other products from Austin Hughes. Every effort has been made to ensure that the information contained herein is correct. There is a possibility that the image(s) shown may not be exactly the same as the final product. The company reserves the right to modify product specifications without prior notice and assumes no responsibility for any error which may appear in this publication.

All brand names, logo and registered trademarks are properties of their respective owners. Copyright 2022 Austin Hughes Electronics Ltd. All rights reserved.

Distributed by:

Distributor by country on application